

Compact

Respiratory Diagnostic Workstation

A multi-diagnostic clinic solution that facilitates accurate and efficient point-of-care assessment of respiratory health.



A Global Leader in **Respiratory Diagnostics**

Empowering a multidisciplinary approach to evaluation and management of respiratory conditions.

Point-of-care access to detailed respiratory diagnostics provides vital and timely information in the diagnosis and management of many respiratory conditions. Accurate and reliable medical information benefits a more complete view of a patient's condition, helping to focus health care resources and to aid decision making.

Understanding the relationship between spirometry, MIP, MEP, SNIP, and ECG is important in the diagnosis and management of different conditions such as NMD and pulmonary hypertension as well as common respiratory conditions like asthma, COPD and ILD.¹

Respiratory Diagnostics Workstation

The answer to multidisciplinary point-of-care respiratory diagnostics


The Compact has integrated spirometry testing and optional respiratory muscle strength testing in one efficient solution. It also supports data collation from other companion devices, such as the BT-12 ECG.

This enables a greater focus on the patient and their healthcare needs as multiple tests can be conducted in a straightforward manner.

Easily transportable, the Compact includes full Microsoft® Windows® PC functionality, and Spirotrac® 6 software for highly efficient testing and patient management. It includes multiple connectivity options for a streamlined workflow.



Consolidation of diagnostics for efficient point-of-care assessment

Diagnostic Categories	Description	Testing types
Spirometry	Assess respiratory volume and flow.	VC FVC Bronchodilator responsiveness testing
Respiratory Muscle Strength*	Evaluate diaphragmatic, intercostal, and abdominal muscle strength.	MIP - Maximal Inspiratory Pressure MEP - Maximal Expiratory Pressure SNIP - Sniff Nasal Inspiratory Pressure PCF - Peak Cough Flow
Electrocardiogram*	Measure rhythm and electrical activity of heart.	12 Lead ECG with University of Glasgow Interpretation Algorithm 

Easy-to-use and efficient assessment in all healthcare settings.

Consolidated patient data

- Collates test results from different types of cardio-respiratory diagnostic assessments.
- Consolidates all relevant patient information in a single device.

Superior respiratory diagnostics

- Integrated V-Core spirometry flowhead for accurate and reliable testing.
- High resolution of 0.1 cm H₂O for MIP, MEP, & SNIP.
- Glasgow interpretation algorithm for ECG assessment.
- Fast evaluation of results with %Predicted comparison, LLN and Z scores.
- Automatic interpretation of results.

Designed for everyday clinical use

- Large touch-screen with a user-friendly intuitive interface and full Windows PC functionality.
- Easily transportable.

Multiple connectivity options

- Secure and seamless integration with your EMR through Vitalograph Connect.
- Customizable PDF reports.
- Networkable.
- Bluetooth and wireless options available.

Hygienically efficient

- Low running costs: no disposable sensors, turbines or flow tubes
- Single-use Vitalograph Bacterial Viral Filters (BVF™) with validated cross-contamination efficiency. >99.999%, protect device, patient, and operator.

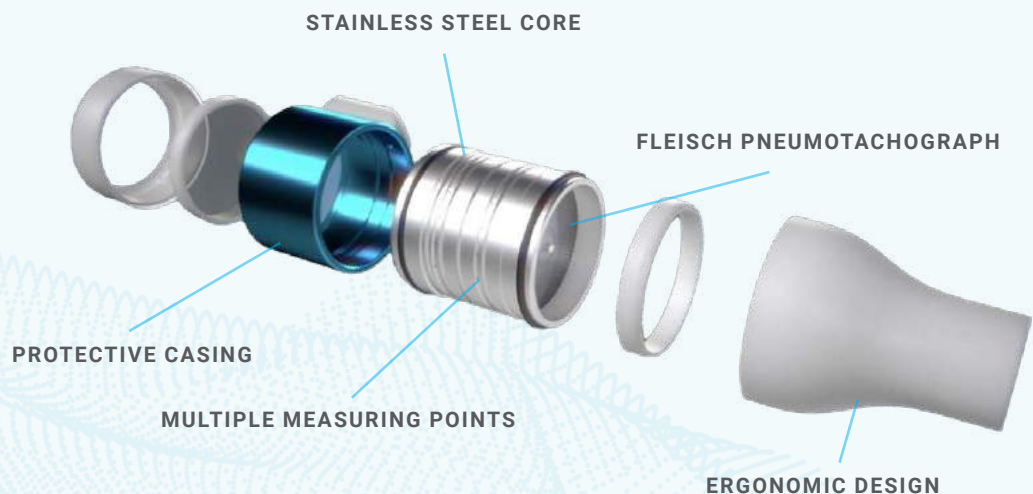
2019
ATS/ERS
Spirometry Technical
Standards
Compliance

Be free to help your patients perform spirometry

The Compact has an integrated **V-Core** flowhead, allowing you to focus on helping your patients achieve their best spirometry test, confident that you are capturing accurate and reproducible results that are compliant with ATS/ERS 2019 Technical Standards.

V-Core Flowhead Technology is:

- Accurate
- Repeatable
- Robust
- Safe
- Comfortable



Technical Specifications

Product: Compact Medical Workstation

Model: 6600

Device classification: Class II (USA) / IIa (EU) medical device

QA/GMP standards: EN ISO 13485, FDA 21 CFR 820, CDRM SOR/98-282 & Japan's PMD Act

Volume accuracy: ±2.5% or ±0.05L

Pressure accuracy RMS: +/- 3%

Pressure resolution RMS: 1 cm H₂O

Dimensions: 296 x 261 x 108 mm

Weight: 3 Kg net

Power supply: 19V DC Power Supply

Communications: USB x 6, Ethernet x 2, Display Port x 2

Operating system: Microsoft Windows 10 Embedded

Screen: 12.1" LCD 1280*800 pixel with capacitive touch screen

Performance standards the Vitalograph Compact meets or exceeds: ISO 23747:2015, ISO 26782 2009, ATS/ERS 2019

Ordering Information

Product Model Number	Customer Order Number	Product Description
6600	67302	Model 6600 Compact
	67303	Model 6600 Compact RMS

Optional Extras / Consumables

Type	Customer Order Number	Product Description	Product Box Size
Consumables	28572	Eco BVF and Disposable Nose Clip	80
	28551	2820 Eco BVF + Silicone Bite-On Mouthpiece + Nose Clips	60
Accessories	36020	2040 Precision Syringe 3-L	1
	67181	COMPACT 19V Power Supply	1
	77934	Flowhead Complete	1
	77652	MIP MEP Flowheads	1
	77651	MIP MEP Connection Tube	1
	77653	Silicone One-way Valve (Pack of 2)	1
	77973	SNIP Nasal Probe Adaptor	1
	67242	Compact Stylus	1
	67179	Compact Wifi Adaptor	1
	Companion Devices	41300	Vitalograph BT-12 ECG
41303		Vitalograph BT-12 ECG USA	1



Free 5-Year warranty included with product registration.

Contact us

Our customer service team are available for telephone support on sales, technical queries or information requests.

USA & Canada

Vitalograph Inc.

Toll Free: 1-800 255 6626
Tel: +1 913 730 3200
Fax: +1 913 730 3232
contact@vitalograph.com
13310 West 99th Street
Lenexa, Kansas, 66215, USA

Ireland

Vitalograph (Ireland) Ltd

Tel: +353 65 686 4100
Fax: +353 65 682 9289
sales@vitalograph.ie
Gort Road Business Park
Ennis, Co Clare, V95 HFT4,
Ireland

United Kingdom

Vitalograph Ltd, UK

Tel: +44 1280 827110
Fax: +44 1280 823302
sales@vitalograph.co.uk
Maids Moreton,
Buckingham, MK18 1SW,
England

Germany

Vitalograph GmbH

Tel: +49 40 547391-0
Fax: +49 40 547391-40
info@vitalograph.de
Rellinger Straße 64a
D-20257 Hamburg,
Germany

All other countries

**Vitalograph Ltd,
International**

Tel: +44 1280 827120
Fax: +44 1280 823302
sales@vitalograph.co.uk
Maids Moreton,
Buckingham, MK18 1SW,
England



Vitalograph, Vitalograph®, Spirotrac®, V-Core™ and BVF™ are trademarks or registered trademarks of Vitalograph Ltd. University of Glasgow logo is a registered trademark of the University of Glasgow. Bluetooth® is trademark of Bluetooth SIG. Microsoft® Windows® is a registered trademark of Microsoft Corporation. All other trademarks and trade names are those of their respective owners.

